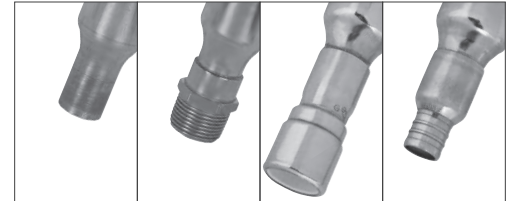
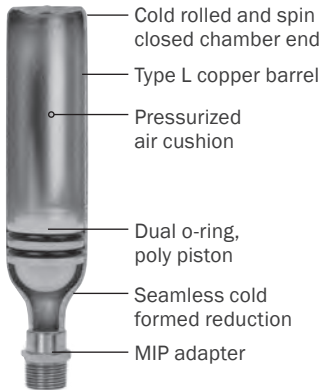


Hydra-Rester™

Commercial Water Hammer Arrester



- Certified by the American Society of Sanitary Engineering to the ANSI/ASSE 1010-2004 Standard
- Lifetime cycle tested at U.S. Testing Laboratories to withstand 10,000 shock cycles. Factory tested to withstand 500,000 cycles without failure (654-C tested)
- Hydra-Rester™ male sweat fittings are compatible with press-fitting systems, such as Viega ProPress™ and all push-fitting systems
- Allows for installation in 2 × 4 wall cavity
- Installs at any angle
- ASSE 1010 certified as a water hammer arrester that is “designed to provide continuous protection, without maintenance” allowing the Hydra-Rester to be installed without access panels



Available in four connection types, including new CPVC socket and PEX F1807.

SPECIFICATIONS †

Maximum Working Temp	250°F
Safe Working Pressure for Pressure Testing	350 PSIG
Burst Tested	2,900 PSIG

Item No	Conn. Size	Unit Size	Dimensions		Fixture Unit Value	Cubic Inch Volume	NO LEAD	Pkg	Min Qty	Case Qty
			Length	Width						
MIP THREAD										
652-A	½"	A	6½"	1⅜"	1-11	5	✓	B	1	16
653-B	¾"	B	8¾"	1⅜"	12-32	7	✓	B	1	16
654-C	1"	C	11"	1⅜"	33-60	11	✓	B	1	16
655-D	1"	D	10⅞"	2½"	61-113	20	✓	B	1	4
656-E	1"	E	12⅝"	2½"	114-154	29	✓	B	1	4
657-F	1"	F	15⅞"	2½"	155-330	36	✓	B	1	4
MALE SWEAT/PRESS FITTING										
652-AS	½"	A	8¼"	1⅜"	1-11	5	✓	B	1	16
653-BS	¾"	B	10"	1⅜"	12-32	7	✓	B	1	16
654-CS	1"	C	12½"	1⅜"	33-60	11	✓	B	1	16
655-DS	1"	D	11"	2½"	61-113	20	✓	B	1	4
656-ES	1"	E	13½"	2½"	114-154	29	✓	B	1	4
657-FS	1"	F	16"	2½"	155-330	36	✓	B	1	4
CPVC SOCKET ASTM D2846 †										
652-AC	½"	A	7½"	1⅜"	1-11	5	✓	B	1	16
653-BC	¾"	B	9½"	1⅜"	12-32	7	✓	B	1	16
654-CC	1"	C	12"	1⅜"	33-60	11	✓	B	1	16
PEX CRIMP ASTM F1807 †										
652-AX	½"	A	6½"	1⅜"	1-11	5	✓	B	1	16
653-BX	¾"	B	8¾"	1⅜"	12-32	7	✓	B	1	16
654-CX	1"	C	11"	1⅜"	33-60	11	✓	B	1	16

† NOTE: PEX and CPVC connection specifications are limited to those called out in their respective



SUPPLY

DRAINAGE

SUPPORT

APPENDIX